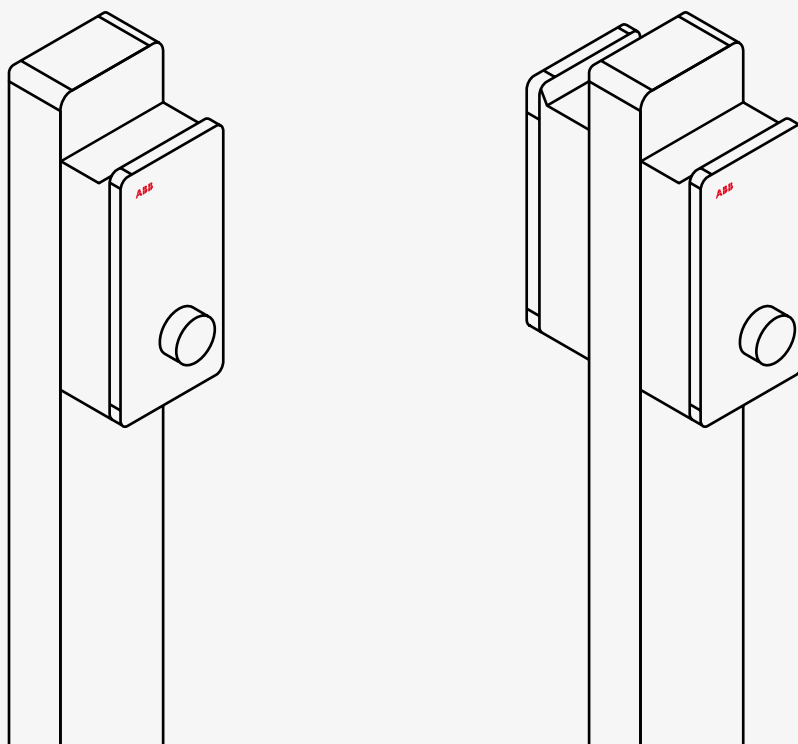

MANUAL

Pedestal for Terra AC wallbox

Installation manual



- TAC pedestal single (ABB6AGC085345)
- TAC pedestal back-to-back (ABB6AGC085684)

Safety instructions



Warning!

Not observing the safety instructions can result in risk of death, injuries and damage to the device! The producer assumes no liability for claims resulting from this!

Electrical hazard!

The installation, commissioning and maintenance of the charging station may only be performed by correctly trained, qualified and authorized

electricians who are fully responsible for the compliance with existing standards and installation regulations.

Observe the instructions given for selecting the location and the constructional requirements!

If the specifications for the location are not observed, this can result in death, serious physical injury or equipment damage if the corresponding precautionary measures are not met!

Use of this manual

This installation manual is intended for qualified personnel only⁽¹⁾.

This guide is a supplement to the "Terra AC wall-box Installation Manual." The information and instructions in the manual about selecting the location, installation and connection of the charging station must be adhered to.

(1) Persons who, due to their special training, expertise and experience as well as knowledge of current standards, are able to assess the work performed and the possible hazards.

Intended use

A pedestal for free-standing installation in inside or outside areas is available as an alternative to mounting the charging station on a wall.

Depending on the design and number of charging stations the relevant number of empty pipes and connection cables should be taken into consideration in the concrete foundation.

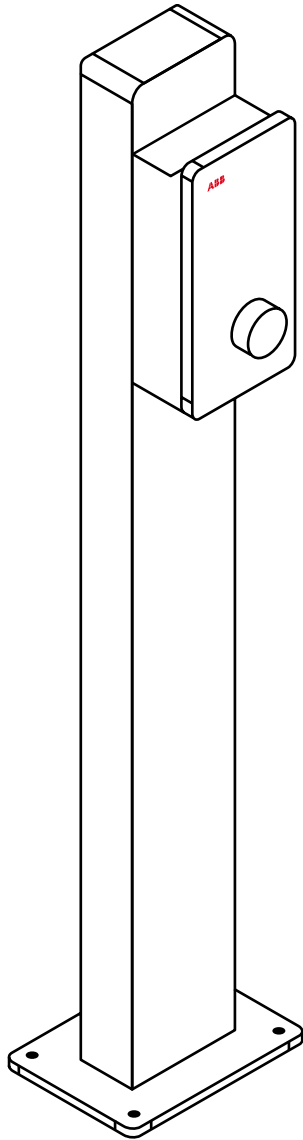
If the charging station is installed with a plug-in power supply line (e.g., for demonstration purposes), you should ensure that there is sufficient tension relief and edge protection for the power supply line.

The respective national regulations must be observed with regard to the installation of the pedestals.

Weight (without charging station): 10,5 kg (single / back-to-back)

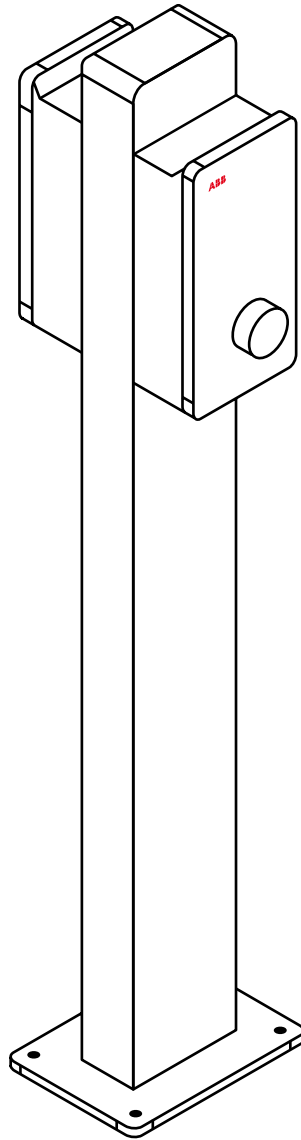
TAC Pedestal Single 6AGC085345		Back-to-Back Pedestal 6AGC085684	
2x	SCREW; FLAT HEADED DIN 923 M5X3(x12) Stainless steel	4x	SCREW; FLAT HEADED DIN 923 M5X3(x12) Stainless steel
2x	SCREW; HEX. SOCKET HEAD M6X90 A2-70 DIN 6912	4x	SCREW; HEX. SOCKET HEAD M6X90 A2-70 DIN 6912
1x	EDGING L = 65 mm	2x	EDGING L = 65 mm
1x	NUT. M6 UNI 5588 A2	2x	NUT. M6 UNI 5588 A2
1x	CONTACT WASHER M6	2x	CONTACT WASHER M6

Overview



Single pedestal 6AGC085345

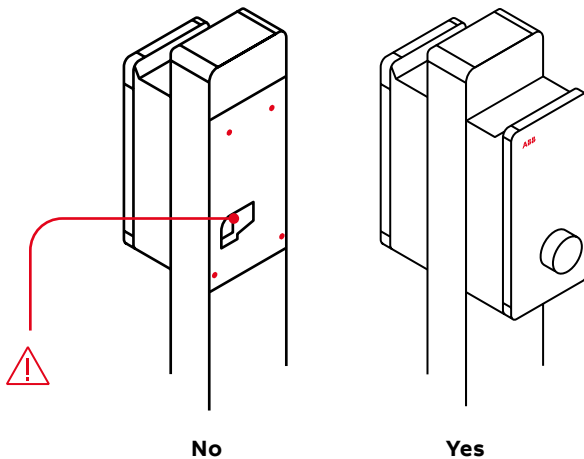
The single pedestal is designed for the installation of one charging station.



Back-to-back pedestal 6AGC085684

The back-to-back pedestal is designed for the installation of two charging stations.

Warning



Electrical hazard!

The back-to-back pedestal must always be fitted with two charging stations!

Location requirements

General:

- All of the location requirements for the charging station in the "Installation manual" must be adhered to!
- When mounting the pedestals in parking spaces or parking garages, appropriate anti-collision protection must be provided by the customer.

Concrete foundation:

- The calculation, design and manufacture of the concrete foundation lies in the scope of responsibility of the producer of the site.
- A horizontal, level and sound foundation is required for installation.
To ensure safe and permanent anchoring, we

recommend creating a concrete foundation:

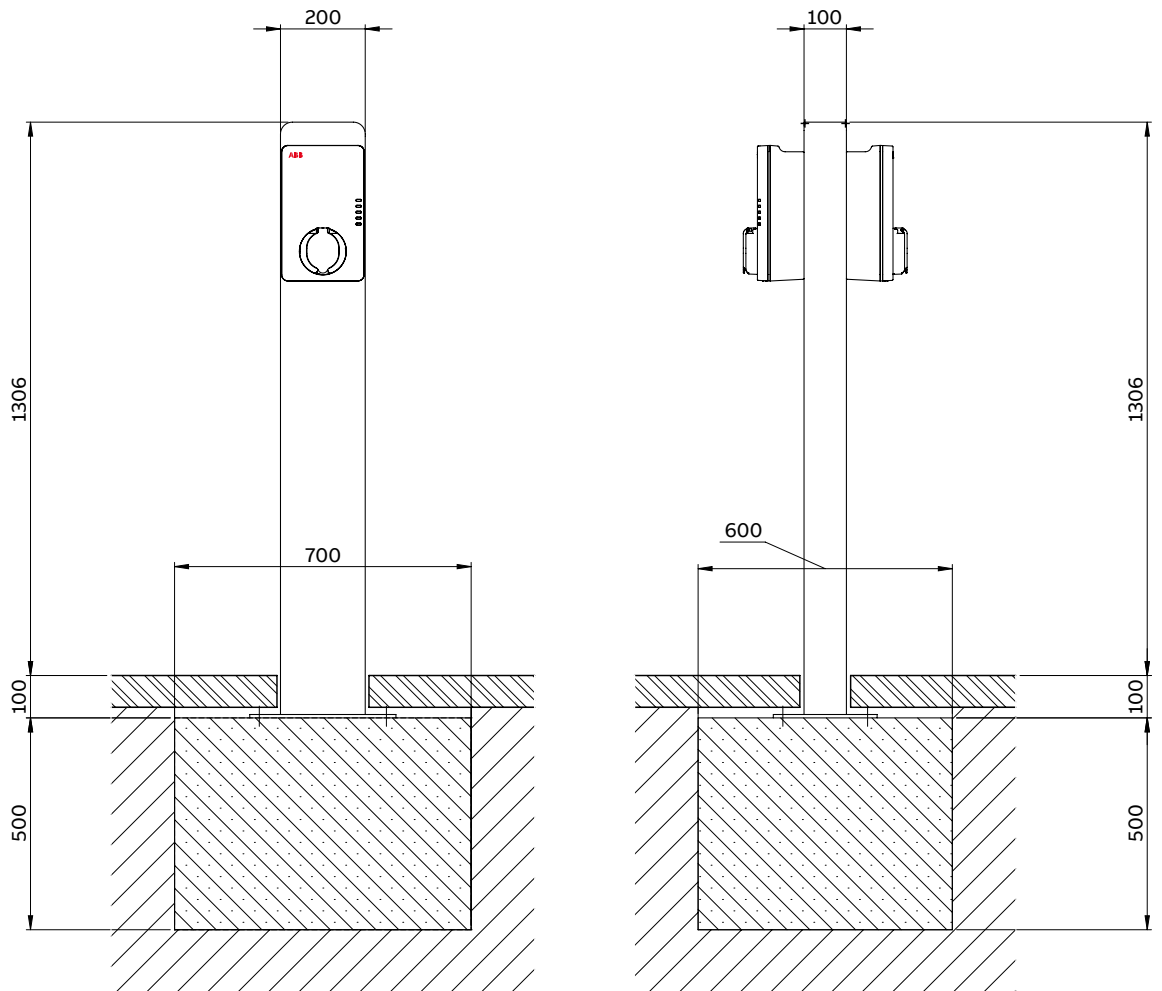
70 cm (L) × 60 cm (W), depth = 50 cm.

Concrete: C30/37

- The base must permit the running off of any water that has entered the base.
- All cables must be laid precisely in the centre of the concrete foundation from the base and must have an excess length of approx. 1.5 m for the remaining installation activities.
- During the production of the concrete foundation, the cables must be protected against damage using appropriate measures (e.g., a protective tube). The protective tube must have an excess length of approx. 25 cm above the concrete foundation.
- Mounting the pedestal on asphalt is not allowed!

Positioning the base

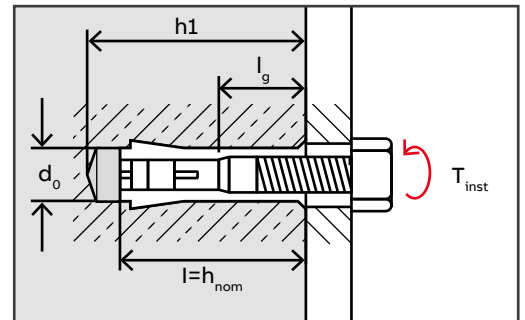
Position the base below street level. The pavement can cover the base. See drawings below.



Anchoring to the base

The 4x anchors (M10x40) must be used for anchoring.

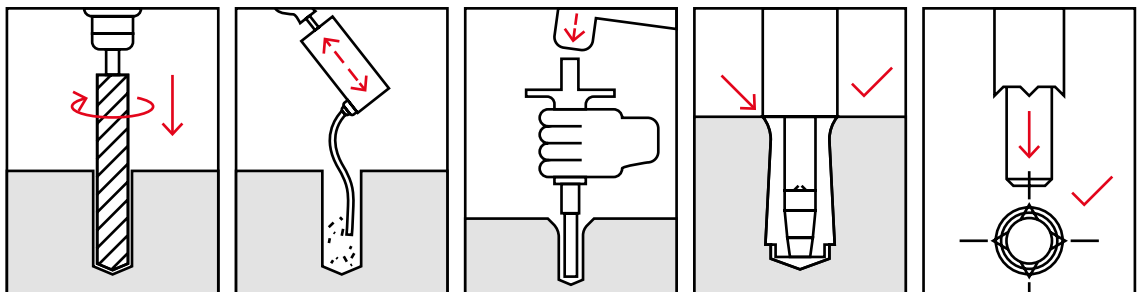
Technical data		
Anchorage ground	Standard concrete with a strength class of C30/C37 or greater	M10
Recommended load	Tension N (uncracked concrete)	4
Per anchor	Transversal shear V (uncracked concrete)	4,9 kN
Required clearance		14,0 cm
Max.Torque T_{inst}		≥ 15 Nm
Drill-hole diameter d_0		12 mm
Drill-hole depth h_1		43 mm



Making drill holes

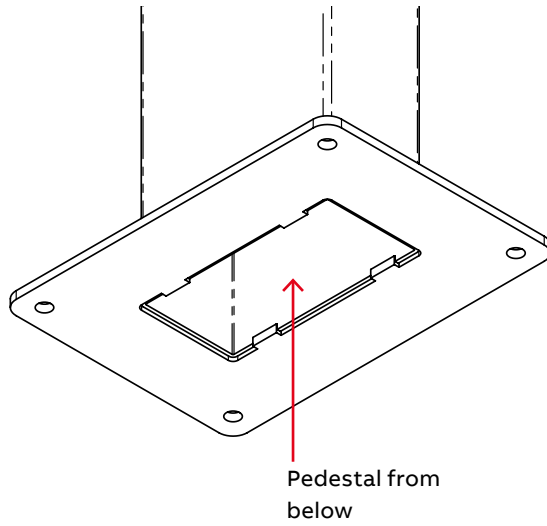
- Mark the 4 holes on the concrete foundation using the base plate of the pedestal. Make sure that the connection cable is located precisely underneath the opening in the base plate.
- Drill the 4 mounting holes:
Diameter: 12 mm
Drill-hole minimum depth: 43 mm
- Hammer the anchors (not included) so that they are flush with the floor.

Please also observe the following instructions:



Instructions on inserting the anchors

NOTE
THE IMAGES ARE VALID FOR ALL VERSIONS.

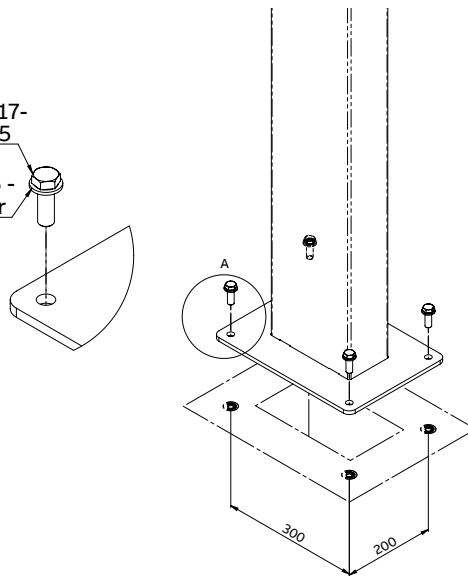


Thread in cable:

- Thread the connection cables from the bottom through the pedestal upwards through the cable opening.

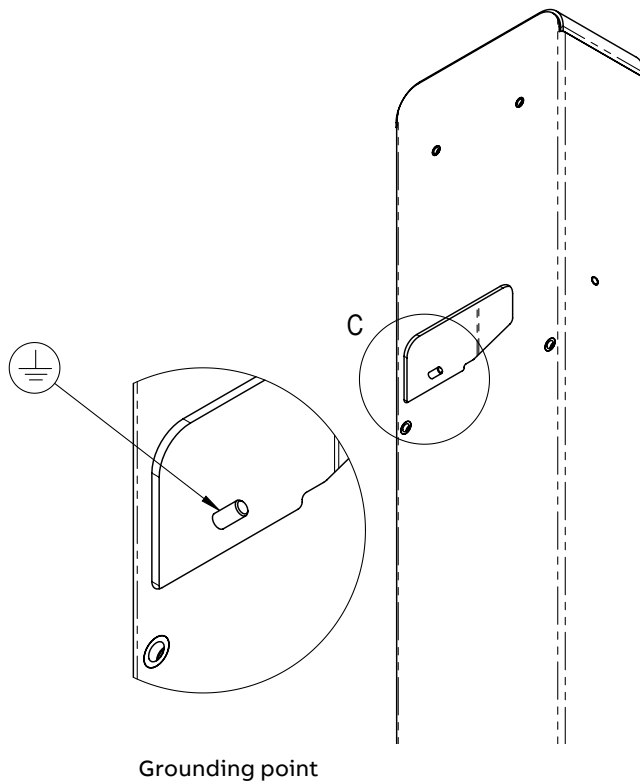
ISO 4017-
M12x 35

DIN125 -
Washer



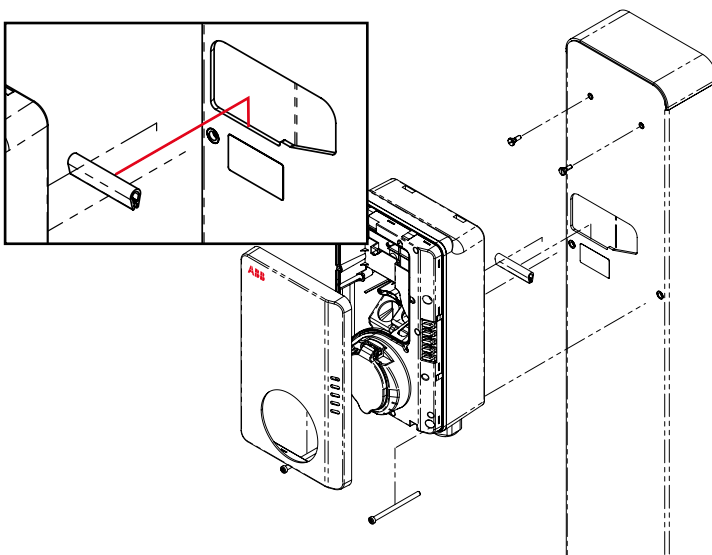
Anchoring:

- Position the pedestal directly over the cable outlet.
- Anchor the pedestal to the foundation using 4 bolts M10 and washer M10 (not included).



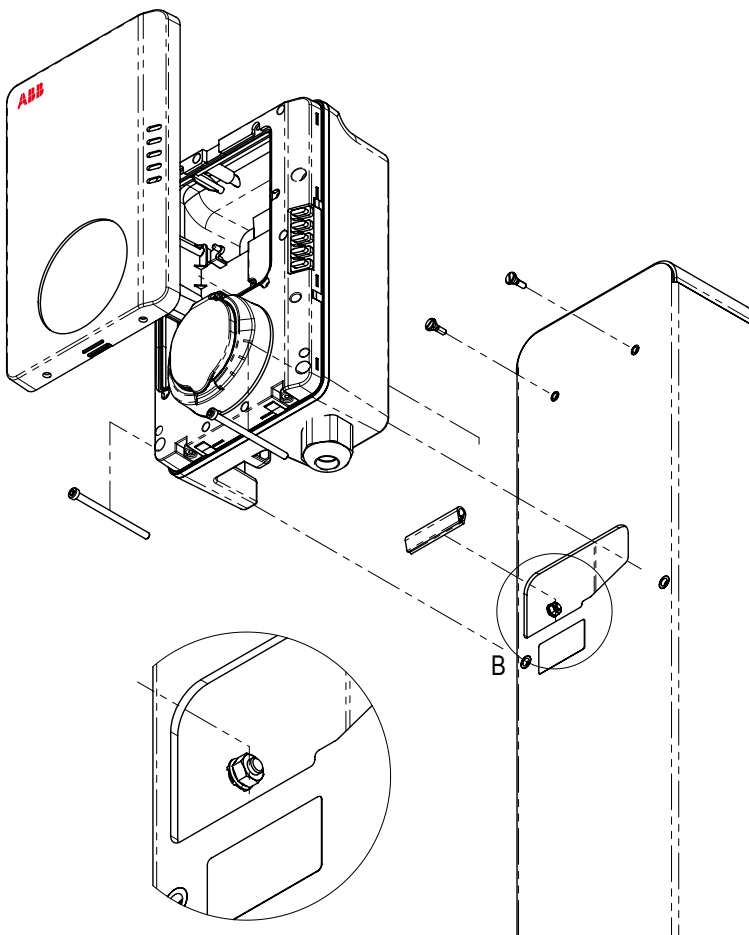
Grounding:

- If necessary, connect the earthing to the pedestal's grounding point with included nut M6 UNI 5588 A2 and contact washer M6. Max torque: 4 Nm.



Add edge cable protection

- Add the edge protection on the cable opening of the pedestal immediately before installing the charging station (see figure).
- Use included edging 65 mm.



Mounting the charging stations

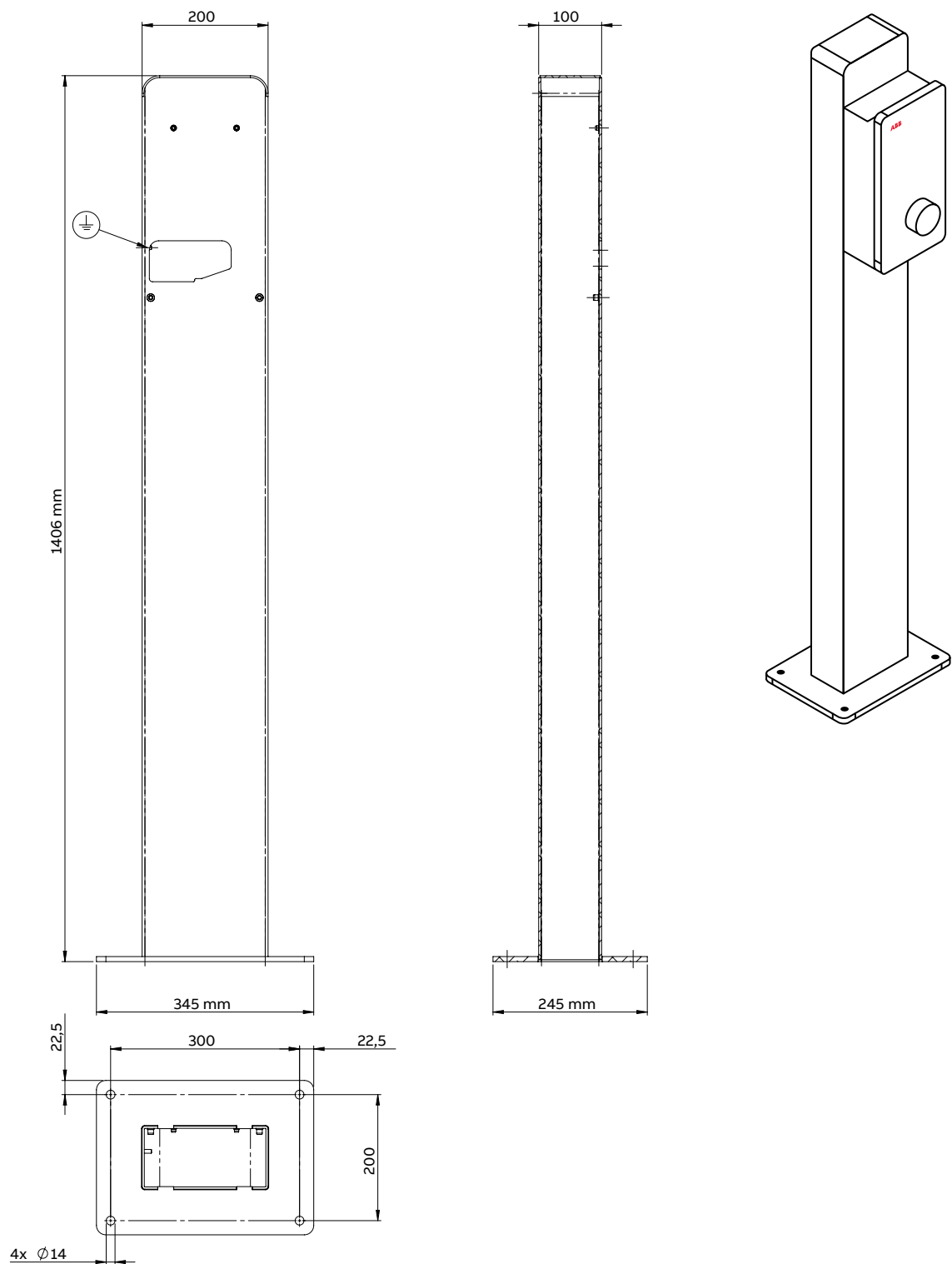
- Mount the charging stations on the pedestal using the enclosed screws.
- Use for top; screw type flat headed DIN 923 M5X3 (x12) Stainless steel
- Use for bottom; screw HEX socket head M6X90 A2-70, DIN 6912

Connecting and commissioning

- Perform the electrical connection and commissioning in accordance with the instructions in the "Installation manual."

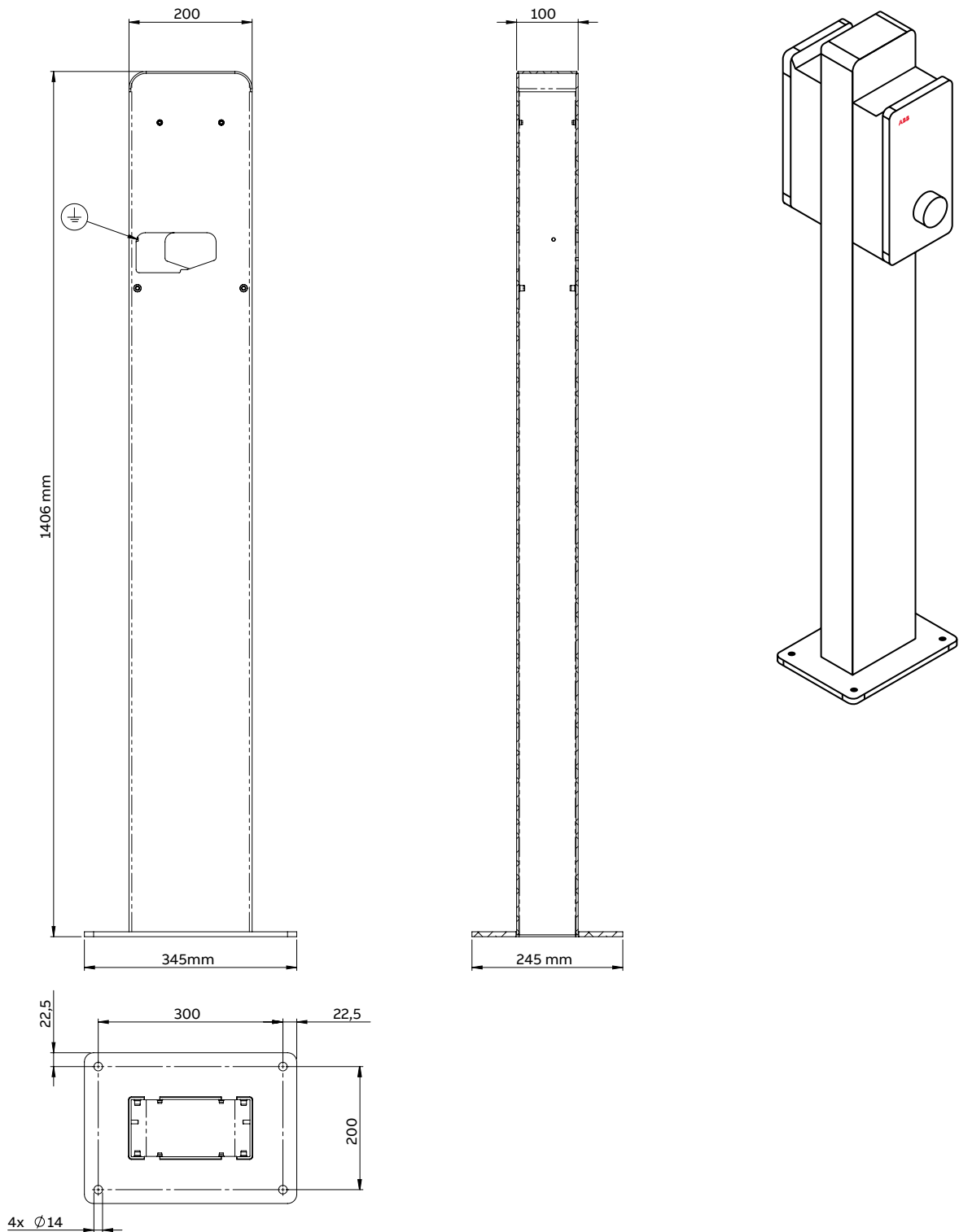
Single pedestal

ABB6AGC085345



Back-to-back pedestal

ABB6AGC085684





—
ABB

Heertjeslaan 6,
2629 JG Delft
Netherlands

abb.com/terraacwallbox